

# DATA SHEET



Document No. : DAT00444 Ver. :000

## 1. 1-SP4MAC3/XXKG-1 Technical data:

技术参数 (Technical data)	单位 (Unit)	1-SP4MAC3/XXKG-1												
精确度等级 (OIML R60)		C3												
额定载荷 Emax (Max. capacity)	kg	1	3	5	7	10	15	20	30	50	75	100	150	200
最小检定分度值 (Vmin)	g	0.2	0.5	1	1	2	2	5	5	10	10	20	20	50
温度对零点影响 (TC Zero)	% of Cn/10K	±0.0280	±0.0233	±0.0280	±0.0200	±0.0280	±0.0186	±0.0350	±0.0233	±0.0280	±0.0186	±0.0280	±0.0186	±0.0350
灵敏度 (Sensitivity)	mV/V	2.0±10% (1kg 为: 1.8+15%/-10%)												
温度对灵敏度影响 (TC Span) <sup>1)</sup>	% of Cn/10K													
+20℃~+40℃:		±0.0170												
-10℃~+20℃:		±0.0110												
非线性误差 (Non-linearity) <sup>1)</sup>	% of Cn	±0.0166												
滞后误差 (Hysteresis error) <sup>1)</sup>	% of Cn	±0.0166												
蠕变/回零 (30mins Creep/DR)	% of Cn	±0.0166												
秤盘面积 (Max. platform size)	mm	300×300			450×450			600×600						
四角误差 (Eccentric error) <sup>2)</sup>	% of Cn	±0.0233												
零点平衡 (Zero balance)	mV/V	0±0.1												
输入电阻 (Input resistance)	Ω	300~500												
输出电阻 (Output resistance)	Ω	300~500												
参考电压 (Uref)	V	5												
工作电压范围 (Bu)	V	1...12												
绝缘电阻 (Insulation resistance)	GΩ (100V)	>2												
额定温度范围 (Nominal temperature range)	℃	-10~+40												
工作温度范围 (Service temperature range)	℃	-10~+50												
存储温度范围 Storage temperature range	℃	-25~+70												
安全承载 (Safe load limit)	% of Emax	150												
极限承载 (Breaking load limit)	% of Emax	300												
最大载荷下变形量 (Deflection at Max. capacity, approx.)	mm	0.46	0.28	0.25	0.22	0.2	0.19	0.18	0.17	0.17	0.16	0.16	0.17	0.18
材料 (Material)		Aluminum SW												
保护等级 (IP)		IP67												
应变片要求 (Strain gage requirement)		Modco/PEEK												

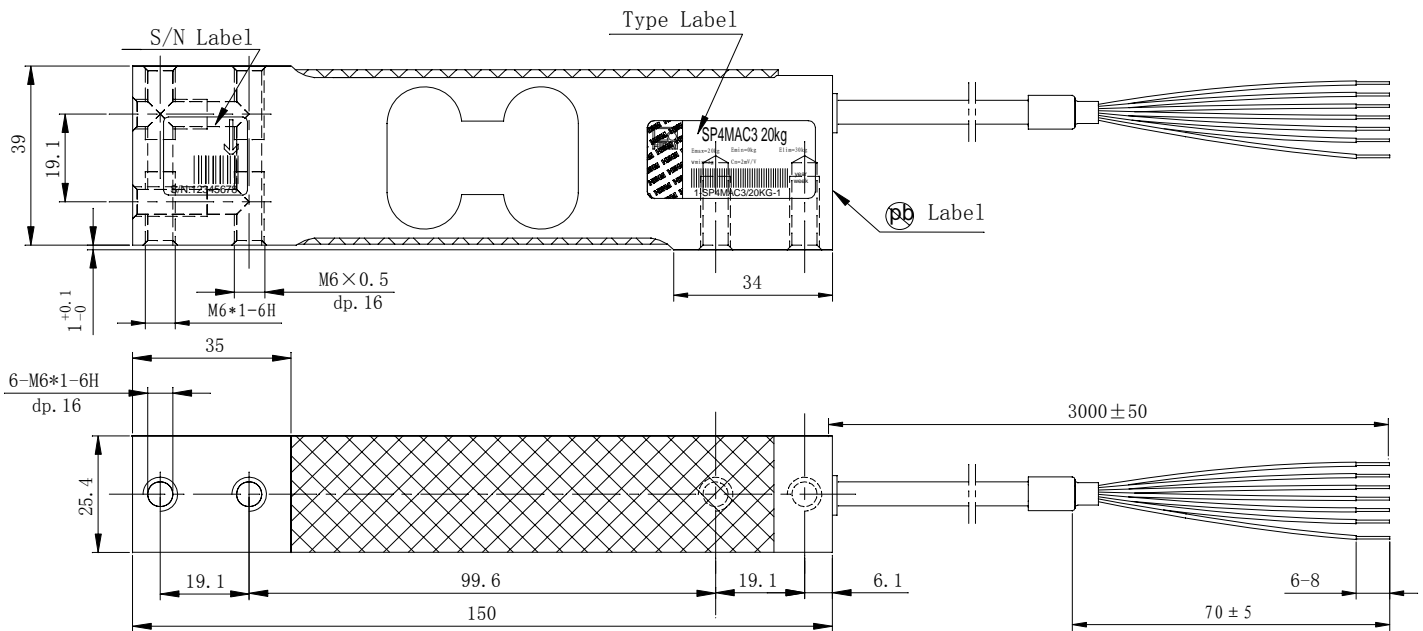
1) The sum of data for Non-linearity, Hysteresis error and TC Span meets the requirement of OIML R60

2) All relative error specified refer to sensitivity. Eccentric error according to OIML R76 class, max.70% of max. permissible

## 2. 1-SP4MAC3/XXKG-1 Part Number Description:

Part Number	Description	Detailed description
1-SP4MAC3/1KG-1	SP4MAC3/1kg-3000R6	SP4MA,C3,3000mm 6W cable without plug, floating,1.8mV/V, Modco PEEK-F,SW AL
1-SP4MAC3/3KG-1	SP4MAC3/3kg-3000R6	SP4MA,C3,3000mm 6W cable without plug, floating,2.0mV/V, Modco PEEK-F,SW AL
1-SP4MAC3/5KG-1	SP4MAC3/5kg-3000R6	SP4MA,C3,3000mm 6W cable without plug, floating,2.0mV/V, Modco PEEK-F,SW AL
1-SP4MAC3/7KG-1	SP4MAC3/7kg-3000R6	SP4MA,C3,3000mm 6W cable without plug, floating,2.0mV/V, Modco PEEK-F,SW AL
1-SP4MAC3/10KG-1	SP4MAC3/10kg-3000R6	SP4MA,C3,3000mm 6W cable without plug, floating,2.0mV/V, Modco PEEK-F,SW AL
1-SP4MAC3/15KG-1	SP4MAC3/15kg-3000R6	SP4MA,C3,3000mm 6W cable without plug, floating,2.0mV/V, Modco PEEK-F,SW AL
1-SP4MAC3/20KG-1	SP4MAC3/20kg-3000R6	SP4MA,C3,3000mm 6W cable without plug, floating,2.0mV/V, Modco PEEK-F,SW AL
1-SP4MAC3/30KG-1	SP4MAC3/30kg-3000R6	SP4MA,C3,3000mm 6W cable without plug, floating,2.0mV/V, Modco PEEK-F,SW AL
1-SP4MAC3/50KG-1	SP4MAC3/50kg-3000R6	SP4MA,C3,3000mm 6W cable without plug, floating,2.0mV/V, Modco PEEK-F,SW AL
1-SP4MAC3/75KG-1	SP4MAC3/75kg-3000R6	SP4MA,C3,3000mm 6W cable without plug, floating,2.0mV/V, Modco PEEK-F,SW AL
1-SP4MAC3/100KG-1	SP4MAC3/100kg-3000R6	SP4MA,C3,3000mm 6W cable without plug, floating,2.0mV/V, Modco PEEK-F,SW AL
1-SP4MAC3/150KG-1	SP4MAC3/150kg-3000R6	SP4MA,C3,3000mm 6W cable without plug, floating,2.0mV/V, Modco PEEK-F,SW AL
1-SP4MAC3/200KG-1	SP4MAC3/200kg-3000R6	SP4MA,C3,3000mm 6W cable without plug, floating,2.0mV/V, Modco PEEK-F,SW AL

## 3. 1-SP4MAC3/XXKG-1 Mounting dimension:



### Cable:

Shielded 6-core round cable(AWG24) with PVC-jacket

### Wiring code:

Excitation voltage +:	green
Sensing lead+:	orange
Signal+:	white
Signal - :	red
Sensing lead-:	blue
Excitation voltage -:	black
Shield:	Yellow, floating

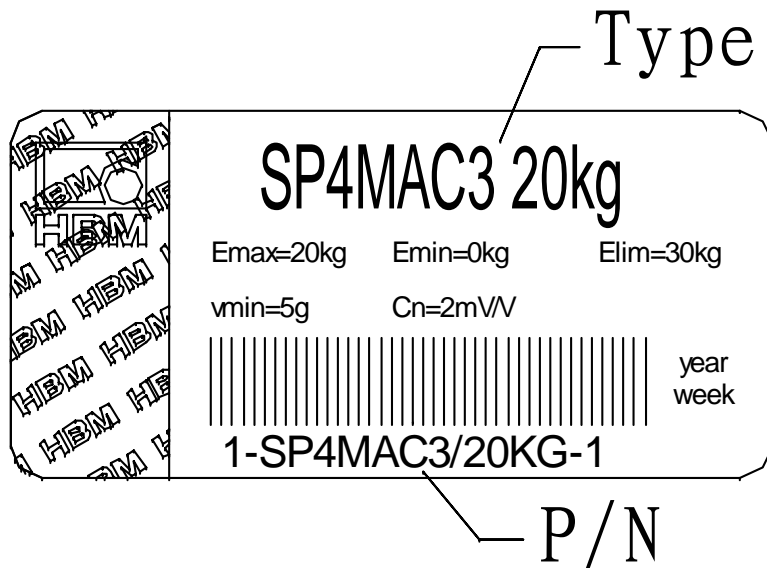
# DATA SHEET



Document No. : DAT00444 Ver. :000

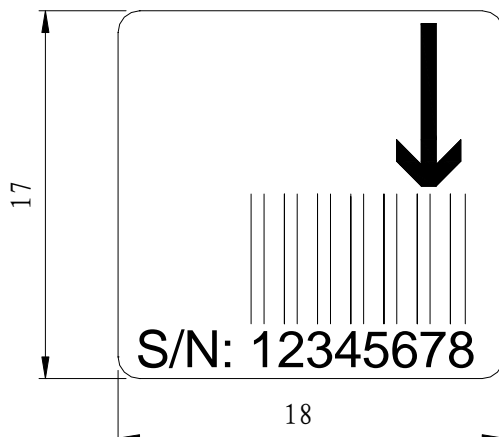
## 4. Label:

### 4.1 Type label



Part Number	Type	Emax	Elim	Vmin	Cn
1-SP4MAC3/1KG-1	SP4MAC3 1kg	1kg	1.5kg	0.2g	1.8mV/V
1-SP4MAC3/3KG-1	SP4MAC3 3kg	3kg	4.5kg	0.5g	2mV/V
1-SP4MAC3/5KG-1	SP4MAC3 5kg	5kg	7.5kg	1g	2mV/V
1-SP4MAC3/7KG-1	SP4MAC3 7kg	7kg	10.5kg	1g	2mV/V
1-SP4MAC3/10KG-1	SP4MAC3 10kg	10kg	15kg	2g	2mV/V
1-SP4MAC3/15KG-1	SP4MAC3 15kg	15kg	22.5kg	2g	2mV/V
1-SP4MAC3/20KG-1	SP4MAC3 20kg	20kg	30kg	5g	2mV/V
1-SP4MAC3/30KG-1	SP4MAC3 30kg	30kg	45kg	5g	2mV/V
1-SP4MAC3/50KG-1	SP4MAC3 50kg	50kg	75kg	10g	2mV/V
1-SP4MAC3/75KG-1	SP4MAC3 75kg	75kg	112.5kg	10g	2mV/V
1-SP4MAC3/100KG-1	SP4MAC3 100kg	100kg	150kg	20g	2mV/V
1-SP4MAC3/150KG-1	SP4MAC3 150kg	150kg	225kg	20g	2mV/V
1-SP4MAC3/200KG-1	SP4MAC3 200kg	200kg	300kg	50g	2mV/V

### 4.2 S/N Label



# DATA SHEET



Document No. : DAT00444 Ver. :000

## 4.3 Out package Label



Order P/N	Altern P/N	PO NO.	Type	yyyy-mm-dd
1-SP4MAC3/1KG-1	1-SP4MAC3/1KG-1	Purchase order number	SP4MAC3/1kg	Packing date (year-month-day)
1-SP4MAC3/3KG-1	1-SP4MAC3/3KG-1	Purchase order number	SP4MAC3/3kg	
1-SP4MAC3/5KG-1	1-SP4MAC3/5KG-1	Purchase order number	SP4MAC3/5kg	
1-SP4MAC3/7KG-1	1-SP4MAC3/7KG-1	Purchase order number	SP4MAC3/7kg	
1-SP4MAC3/10KG-1	1-SP4MAC3/10KG-1	Purchase order number	SP4MAC3/10kg	
1-SP4MAC3/15KG-1	1-SP4MAC3/15KG-1	Purchase order number	SP4MAC3/15kg	
1-SP4MAC3/20KG-1	1-SP4MAC3/20KG-1	Purchase order number	SP4MAC3/20kg	
1-SP4MAC3/30KG-1	1-SP4MAC3/30KG-1	Purchase order number	SP4MAC3/30kg	
1-SP4MAC3/50KG-1	1-SP4MAC3/50KG-1	Purchase order number	SP4MAC3/50kg	
1-SP4MAC3/75KG-1	1-SP4MAC3/75KG-1	Purchase order number	SP4MAC3/75kg	
1-SP4MAC3/100KG-1	1-SP4MAC3/100KG-1	Purchase order number	SP4MAC3/100kg	
1-SP4MAC3/150KG-1	1-SP4MAC3/150KG-1	Purchase order number	SP4MAC3/150kg	
1-SP4MAC3/200KG-1	1-SP4MAC3/200KG-1	Purchase order number	SP4MAC3/200kg	

编制: \_\_\_\_\_

审核: \_\_\_\_\_

批准: \_\_\_\_\_