

DATA SHEET



Document No: DAT00424 Ver.002

1. 1-PW12CC3/xxKGU-1 Technical data:

技术参数 (Technical data)	单位 (Unit)	1-PW12CC3/xxKGU-1									
精确度等级 (OIML R60)		C3									
额定载荷 Emax (Max. capacity)	kg	50	75	100	150	200	250	300	500	635	1000
最小检定分度值 (vmin)	g	10	10	20	20	50	50	50	100	100	200
温度对零点影响 (TC Zero)	% of Cn/10K	±0.0280	±0.0186	±0.0280	±0.0186	±0.0350	±0.0280	±0.0233	±0.0280	±0.0221	±0.0280
灵敏度 (Sensitivity)	mV/V	2.0									
灵敏度误差 (Sensitivity tolerance)	%	±0.1%									
温度对灵敏度影响 (TC Span)	% of Cn/10K										
+20℃~+40℃:		±0.0175									
-10℃~+20℃:		±0.0117									
非线性误差 (Non-linearity)	% of Cn	±0.0166									
滞后误差 (Hysteresis error)	% of Cn	±0.0166									
蠕变 (Creep/30mins)	% of Cn	±0.0245									
蠕变恢复(BND/30mins)	% of Cn	±0.0166									
秤盘面积 (Max. platform size)	mm	800×800									
四角误差 (Eccentric error)	%	±0.0233									
零点平衡 (Zero balance)	mV/V	0±0.10									
输入电阻 (Input resistance)	Ω	300~500									
输出电阻 (Output resistance)	Ω	400±0.3									
参考电压 (Uref)	V	5									
工作电压范围 (Bu)	V	1...15									
绝缘电阻 (Insulation resistance)	GΩ/100V	>2									
额定温度范围 Nominal temperature range	℃	-10~+40									
工作温度范围 Service temperature range	℃	-10~+50									
存储温度范围 Storage temperature range	℃	-25~+70									
安全承载 (Safe load limit)	% of Emax	150									
极限承载 (Breaking load limit)	% of Emax	300									
最大载荷下变形量 (Deflection at Max. capacity), approx.	mm	<0.5									
重量 (Weight approx.)	kg	2.4									
材料 (Material)		Aluminum									
保护等级 (IP)		IP67									
应变片要求 Strain gage requirement		Modco/PEEK									

1) The sum of data for Non-linearity, Hysteresis error and TC Span meets the requirement of OIML 60

DATA SHEET



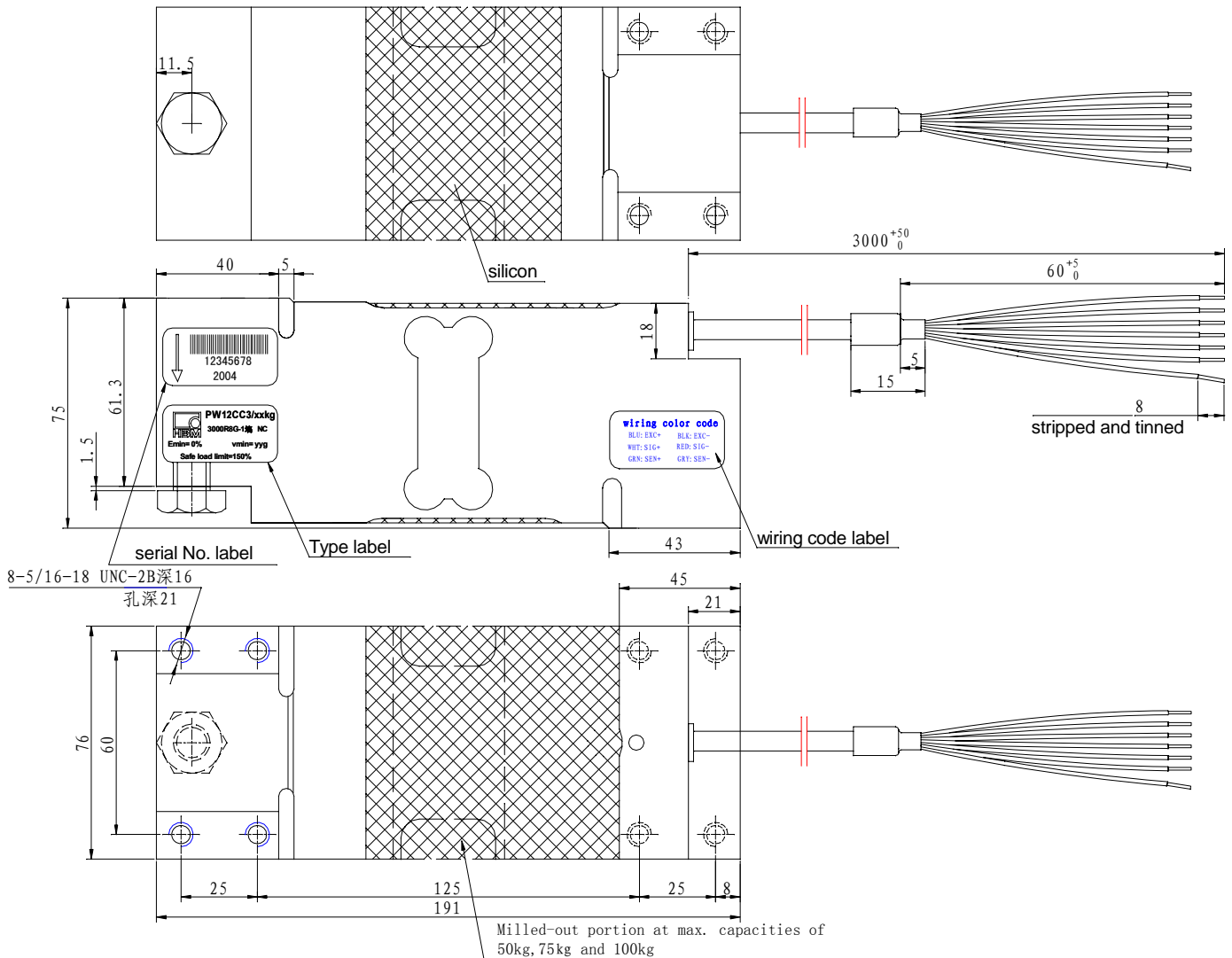
Document No: DAT00424 Ver.002

2) All relative error specified refer to Sensitivity. Eccentric error according to OIML R76 class,max.70% of max.permmissible

2. 1-PW12CC3/xxKGU-1 Part Number Description:

Part Number	Description	Detailed description
1-PW12CC3/50KGU-1	PW12CC3/50kg-3000R8G-1‰UNC	PW12C, C3,3000mm 6W cable W/O plug,ground,0.1%Cn,5/16thread,Modco
1-PW12CC3/75KGU-1	PW12CC3/75kg-3000R8G-1‰UNC	PW12C, C3,3000mm 6W cable W/O plug,ground,0.1%Cn,5/16thread,Modco
1-PW12CC3/100KGU-1	PW12CC3/100kg-3000R8G-1‰UNC	PW12C, C3,3000mm 6W cable W/O plug,ground,0.1%Cn,5/16thread,Modco
1-PW12CC3/150KGU-1	PW12CC3/150kg-3000R8G-1‰UNC	PW12C, C3,3000mm 6W cable W/O plug,ground,0.1%Cn,5/16thread,Modco
1-PW12CC3/200KGU-1	PW12CC3/200kg-3000R8G-1‰UNC	PW12C, C3,3000mm 6W cable W/O plug,ground,0.1%Cn,5/16thread,Modco
1-PW12CC3/250KGU-1	PW12CC3/250kg-3000R8G-1‰UNC	PW12C, C3,3000mm 6W cable W/O plug,ground,0.1%Cn,5/16thread,Modco
1-PW12CC3/300KGU-1	PW12CC3/300kg-3000R8G-1‰UNC	PW12C, C3,3000mm 6W cable W/O plug,ground,0.1%Cn,5/16thread,Modco
1-PW12CC3/500KGU-1	PW12CC3/500kg-3000R8G-1‰UNC	PW12C, C3,3000mm 6W cable W/O plug,ground,0.1%Cn,5/16thread,Modco
1-PW12CC3/635KGU-1	PW12CC3/635kg-3000R8G-1‰UNC	PW12C, C3,3000mm 6W cable W/O plug,ground,0.1%Cn,5/16thread,Modco
1-PW12CC3/1TU-1	PW12CC3/1000kg-3000R8G-1‰UNC	PW12C, C3,3000mm 6W cable W/O plug,ground,0.1%Cn,5/16thread,Modco

3. 1-PW12CC3/xxKGU-1 Mounting dimension:



DATA SHEET



Document No: DAT00424 Ver.002

Cable:

Shielded 6-core round cable(6x0.14mm²) with PVC-jacket

Wiring code:

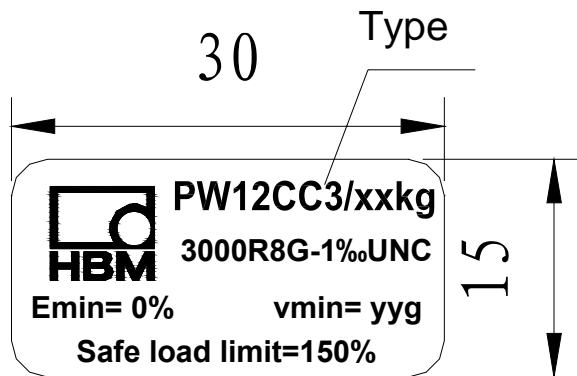
Excitation voltage + : blue
 Sensing lead + : green
 Signal+ : white
 Signal - : red
 Sensing lead - : gray
 Excitation voltage - : black
 Shield: Yellow, connected to load cell

Mounting:

Socket head cap screw M8-10.9(635kg:M8-12.9)
 Tightening torque:35Nm (635kg:42Nm)

4. Label :

4.1 Type label



Part Number	xx	yy
1-PW12CC3/50KGU-1	50	10
1-PW12CC3/75KGU-1	75	10
1-PW12CC3/100KGU-1	100	20
1-PW12CC3/150KGU-1	150	20
1-PW12CC3/200KGU-1	200	50
1-PW12CC3/250KGU-1	250	50
1-PW12CC3/300KGU-1	300	50
1-PW12CC3/500KGU-1	500	100
1-PW12CC3/635KGU-1	635	100
1-PW12CC3/1TU-1	1000*	200

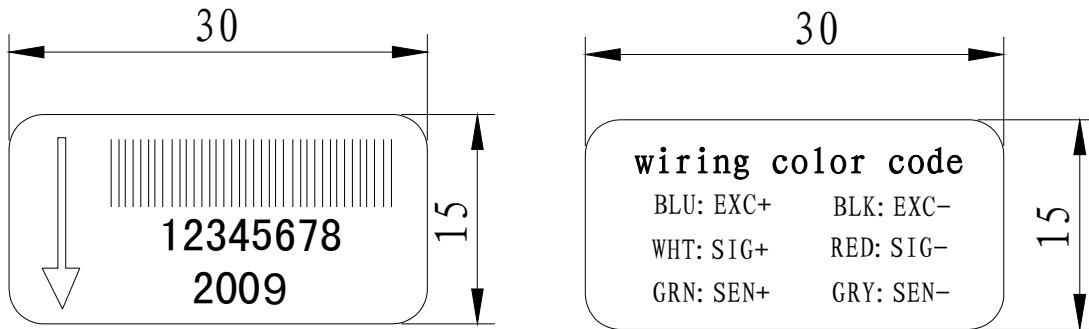
*capacity 1000KG: Type--- PW12CC3 1000kg
 Part number--- 1-PW12CC3/1TU-1

DATA SHEET

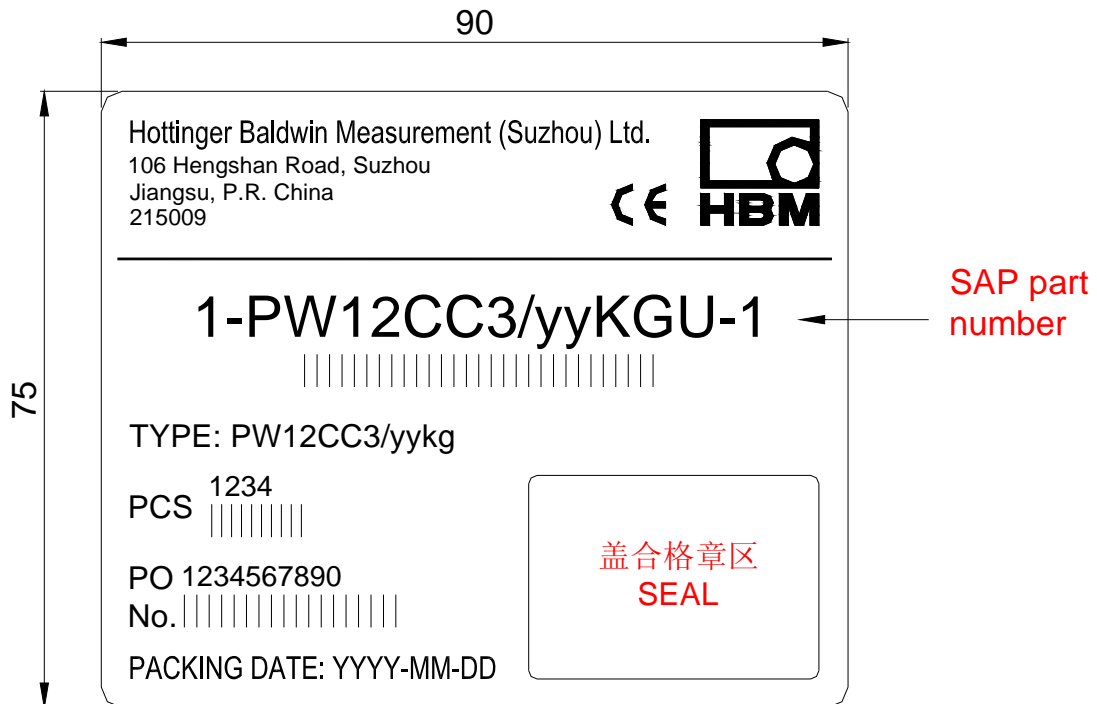


Document No: DAT00424 Ver.002

4.2 S/N Label and wiring color code label:



4.3 Package Label



Part number	yy	PO NO.	yyyy-mm-dd
1-PW12CC3/50KGU-1	50	Purchase order number	Packing date (year-month-day)
1-PW12CC3/75KGU-1	75	Purchase order number	
1-PW12CC3/100KGU-1	100	Purchase order number	
1-PW12CC3/150KGU-1	150	Purchase order number	
1-PW12CC3/200KGU-1	200	Purchase order number	
1-PW12CC3/250KGU-1	250	Purchase order number	
1-PW12CC3/300KGU-1	300	Purchase order number	
1-PW12CC3/500KGU-1	500	Purchase order number	
1-PW12CC3/635KGU-1	635	Purchase order number	
1-PW12CC3/1TU-1	1000	Purchase order number	

编制:

审核:

批准: